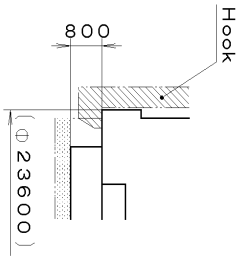
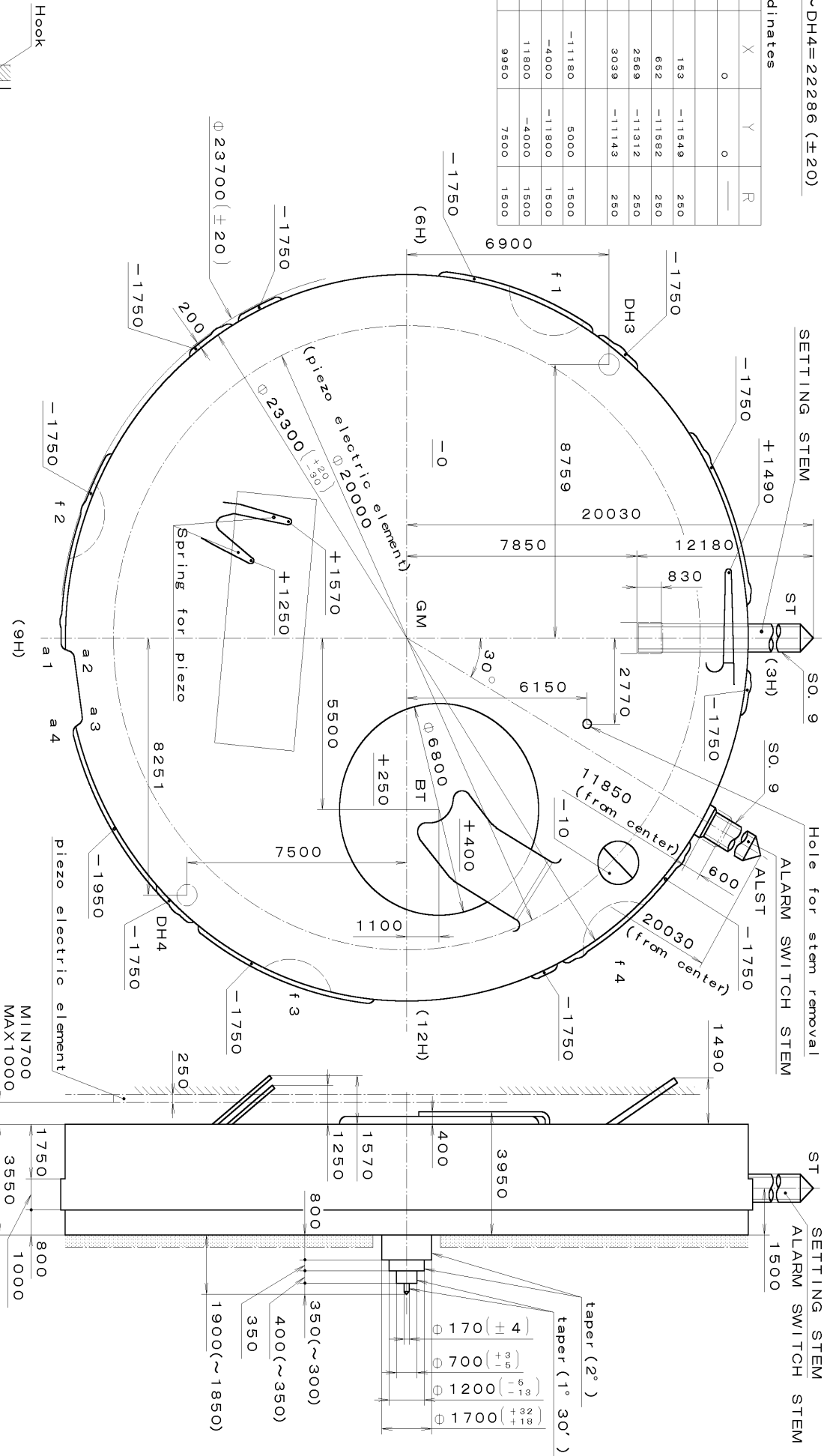


This drawing is provisional and subject to our reconfirmation and/or revision without notice.

xxx TIPW 6L71 (01) xxx (2100 1121) 01-01-11

DH3~DH4=22286 (±20)

Coordinates			
Mark	X	Y	R
GM	0	0	—
a1	153	-11549	250
a2	652	-11582	250
a3	2569	-11312	250
a4	3039	-11143	250
f1	-11180	5000	1500
f2	-4000	-11800	1500
f3	11800	-4000	1500
f4	9950	7500	1500



Material	Quantity	Unit	1/1000 mm	Cal. No. : 6L71
Heat Treatment	Scale	Scale	8:1	Parts:
Hardness	Date	Drawn	T. Hiruta	Name:
Plating	Checked	Approved		Frame for Case
	Approved			Drawing No. : 6L71C000
General Tolerances				
Dimensions				
Angles				

MIN700
MAX1000

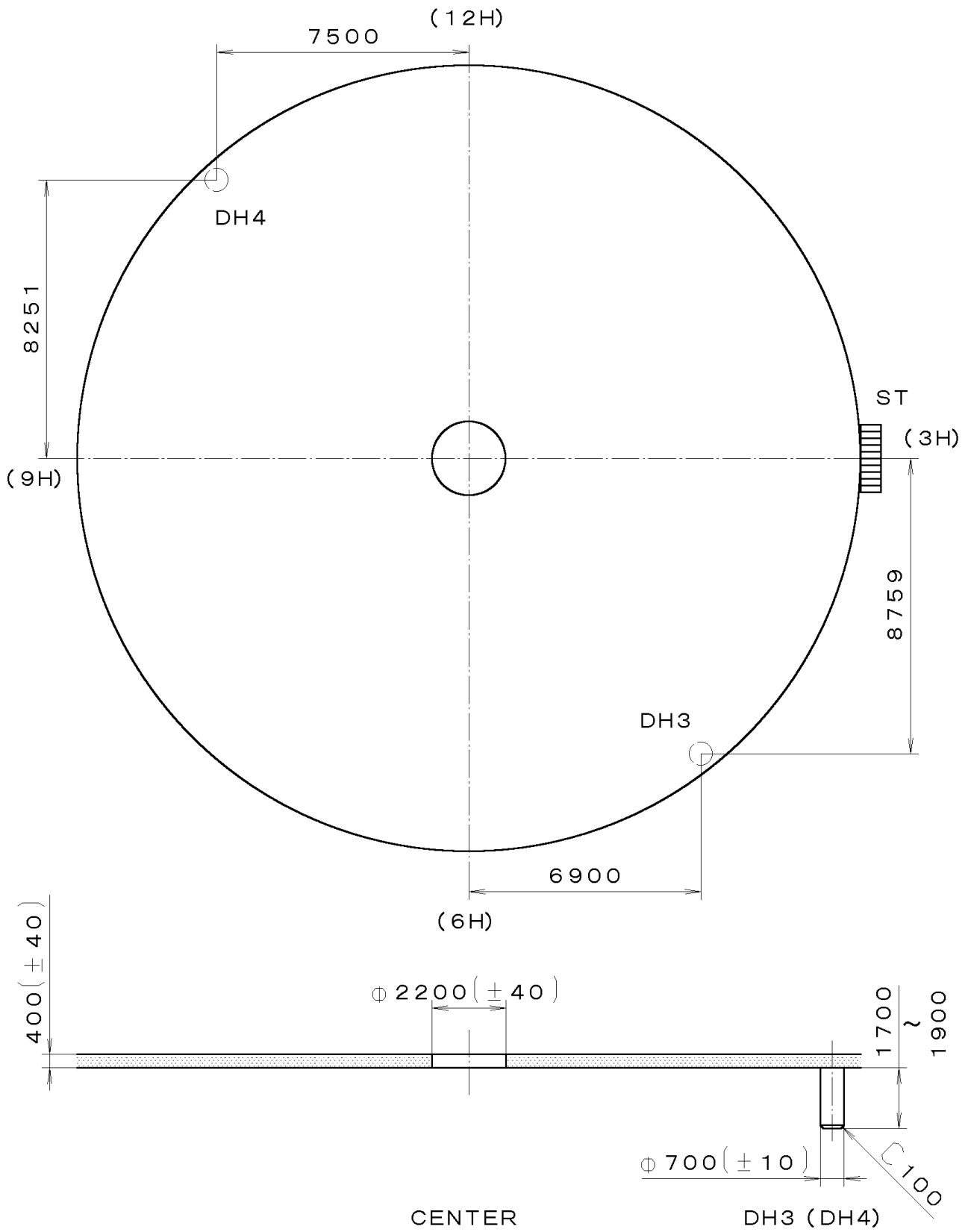
6L71

Frame for Case

Drawing No. : 6L71C000

This drawing is provisional and subject to our reconfirmation and/or revision without notice.

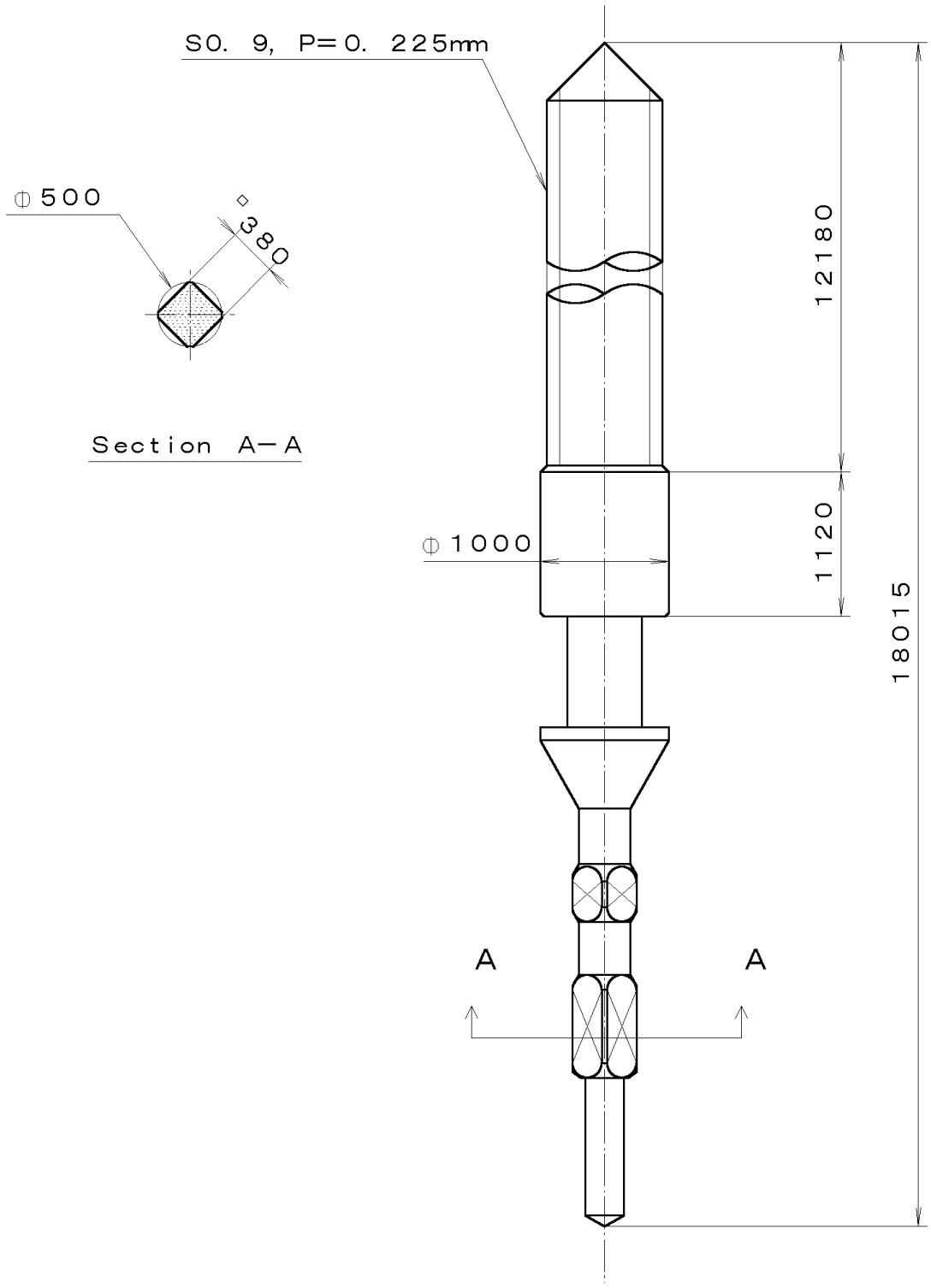
6L71-00A (01) *** (2100 1121) 01-01-11



7		Quantity		Cal. No. :	6L71-00A
6		Unit	1/1000 mm	Parts:	
5		Scale	6:1	Name:	Indications for Dial
4		Date		Drawing No. :	6L71D000
3		Drawn			
2		Checked	T. Hiruta		
1		Approved			
Material					
Heat Treatment		General Tolerances			
Hardness		Dimensions			
Plating		Angles			

This drawing is provisional and subject to our reconfirmation and/or revision without notice.

065-387 (01) *** (2100 1121) 01-02-07

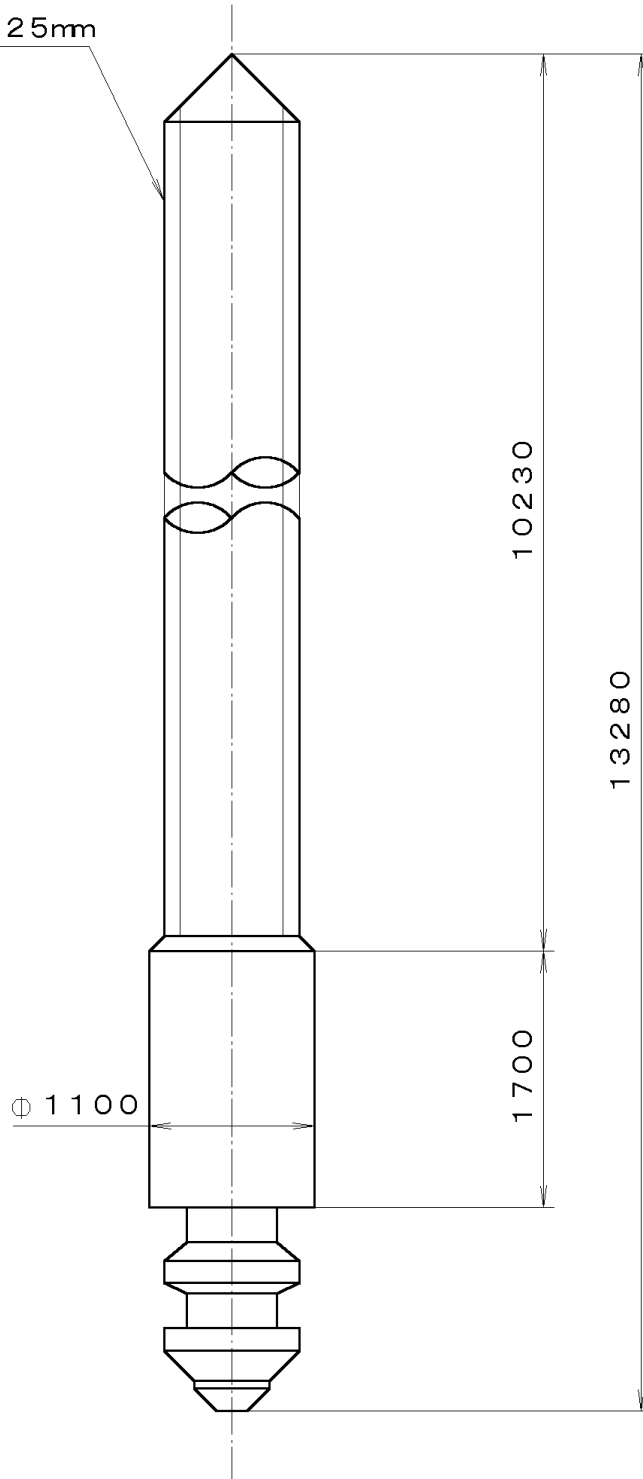


7		Quantity		Cal. No. :
6		Unit	1/1000 mm	Parts:
5		Scale	20:1	
4		Date		065-387
3		Drawn		
2		Checked	T. Hiruta	Name:
1		Approved		SETTING STEM
Material				Drawing No. : 3870S000
Heat Treatment		General Tolerances		
Hardness		Dimensions		
Plating		Angles		

This drawing is provisional and subject to our reconfirmation and/or revision without notice.

065-394 (01) *** (2100 1121) 01-02-09

S0. 9, P=0. 225mm



7			Quantity		Cal. No. :
6			Unit	1/1000 mm	
5			Scale	20:1	Parts:
4			Date		065-394
3			Drawn		
2			Checked	T. Hiruta	Name:
1			Approved		SETTING STEM
Material					Drawing No. : 3940S000
Heat Treatment			General Tolerances		
Hardness			Dimensions		
Plating			Angles		